

# MOVEX®

# PRX



*Where there is great need  
for an efficient and easily  
maneuverable local extractor*

The MOVEX PRX local extractor is extremely easy to maneuver, while at the same time offering great positional stability, even with the arm fully extended.

The arm is equipped with a gas spring that balances the arm's own weight.

**PRX – simply the obvious choice.**

The suction nozzle can be angled through 90° in all directions (360°). In addition, the wall and ceiling attachment has a 360° swivel function.

MOVEX always designs their local extractors with external supporting arms. This allows for a lower pressure drop and small risk of blockage. The smooth interior of the arm tubes make the extractor very easy to clean.

The PRX is equipped with a knob for adjusting the friction joints. The knob is easy to adjust to the desired resistance. This makes the PRX unique on the market today.

The MOVEX PRX is available in lengths of 7, 10 and 14 feet and in diameters of 5, 6 and 8 “.

The arm is easy to install and comes with accessories for ceiling, floor and bench mounting.

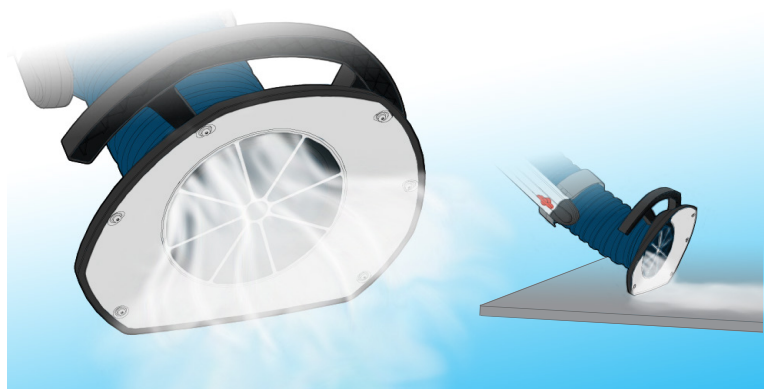
*The Fumex range also includes exhaust extractors, fans, filters, control units and workshop equipment.*

**LOCAL EXTRACTOR**  
**Pure advantages**



### ***Optimal hood design***

The hood is designed for maximum extraction efficiency. It is ideal for capturing welding fumes and other hot contaminants. For isothermal (non-hot) contaminants, extraction efficiency can be further improved by taking advantage of the Coandă effect. This is where air currents follow a regular and flat surface, such as a table or bench, rather than flowing freely through the room.





## Always choose a low pressure drop

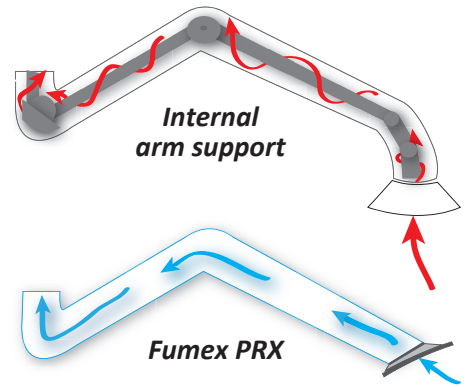
A low pressure drop always saves energy. A low pressure drop also produces less noise, reduces the risk of annoying ventilation sounds, and can more easily be combined with other exhaust products in the same system.

## External supporting joints provide flexibility and benefits

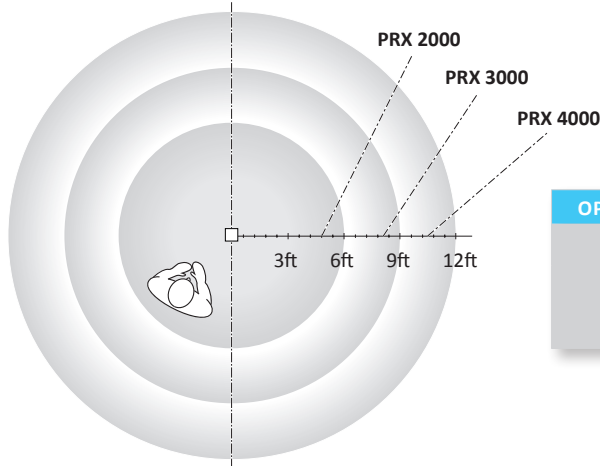
The external location of the joint links provide options for tube and hose sizes of 5, 6 and 8" diameters. The design of the joints bend the hose so as to provide optimal airflow, thus giving the PRX arm a pressure drop that is around 50% lower than that of internal linkage systems.

## Unique adjustment of friction joints

It is very easy to make the necessary adjustment to the friction joints. Unique to the PRX is that no tools are required. The knob is easy to adjust and provides great flexibility in the desired resistance.

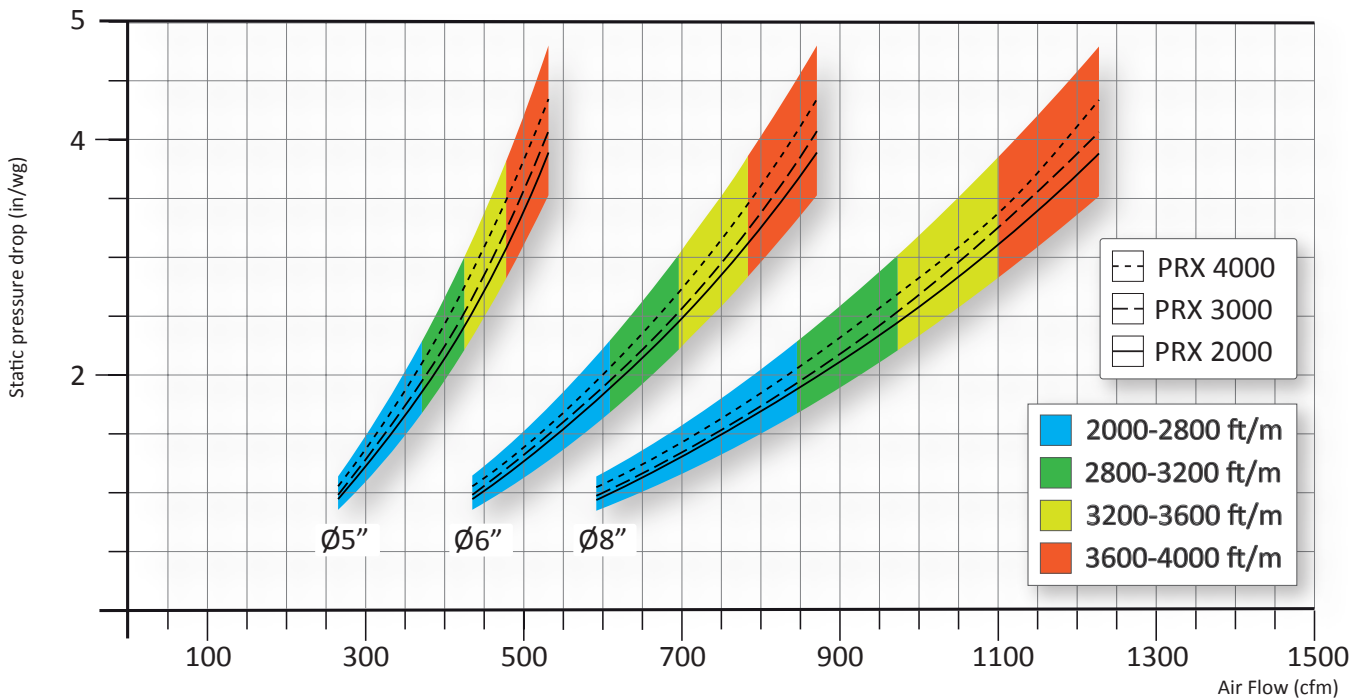


## Operating radius (inches)

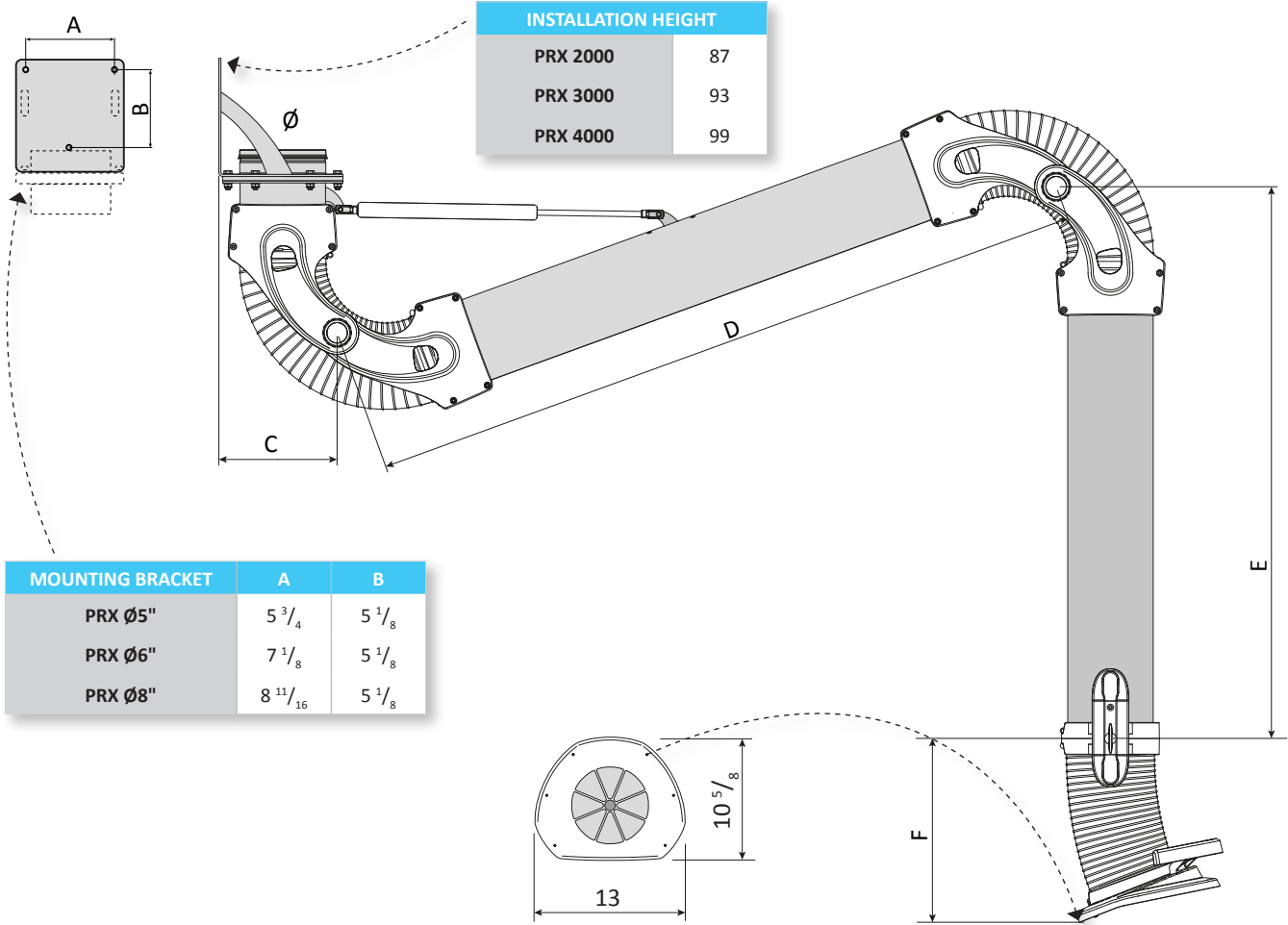


OPERATING RADIUS	Operating height	Radius
PRX 2000	30	65
PRX 3000	30	107
PRX 4000	30	137

## Flow & pressure drop diagram



## Dimension drawing (inches)



	C	D	E	F
PRX 2000-125	7 1/2	34	20 1/2	13 1/2
PRX 2000-160	8 3/4	34	20 1/2	13 1/2
PRX 2000-200	10 3/8	34	20 1/2	14

	C	D	E	F
PRX 3000-125	7 1/2	53 1/2	40 1/2	13 1/2
PRX 3000-160	8 3/4	53 1/2	40 1/2	13 1/2
PRX 3000-200	10 3/8	53 1/2	40 1/2	14

	C	D	E	F
PRX 4000-125	7 1/2	69 1/4	54 1/4	13 1/2
PRX 4000-160	8 3/4	69 1/4	54 1/4	13 1/2
PRX 4000-200	10 3/8	69 1/4	54 1/4	14

## Specifications

### Form of delivery

The arm is supplied partially assembled, including a wall bracket, for simple installation.

### Surface treatment

Plastic parts ..... PA, PA30%.  
 Aluminium parts ..... Anodized.  
 Steel parts ..... Blackened finish, zinc-plated or powder-coated.

### Hose type

PVC. Difficult to ignite, suitable for welding and flue gases. 14°F to 194°F.

### Weight (lb)

	Ø5"	Ø6"	Ø8"
PRX 2000	27	32	33
PRX 3000	29	36	40
PRX 4000	31	38	44

